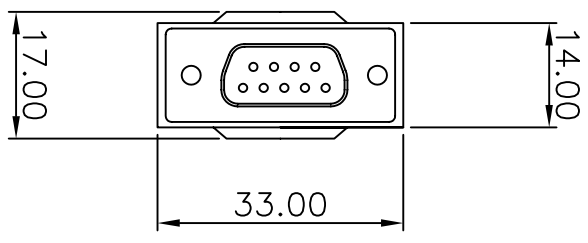
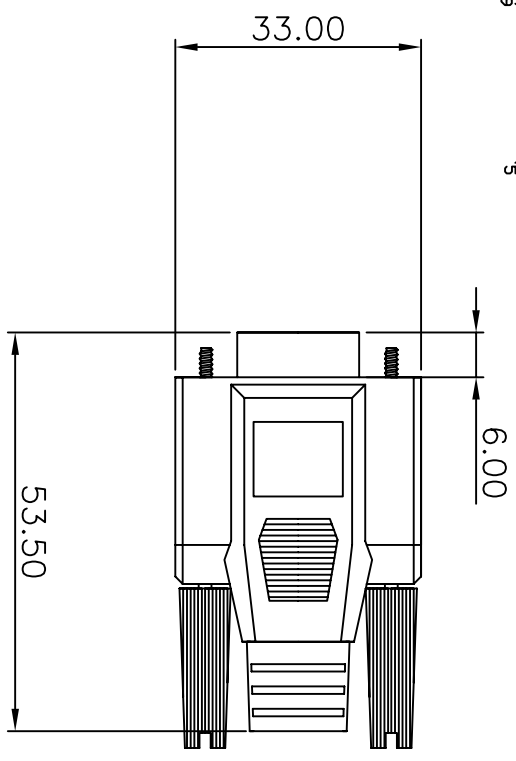
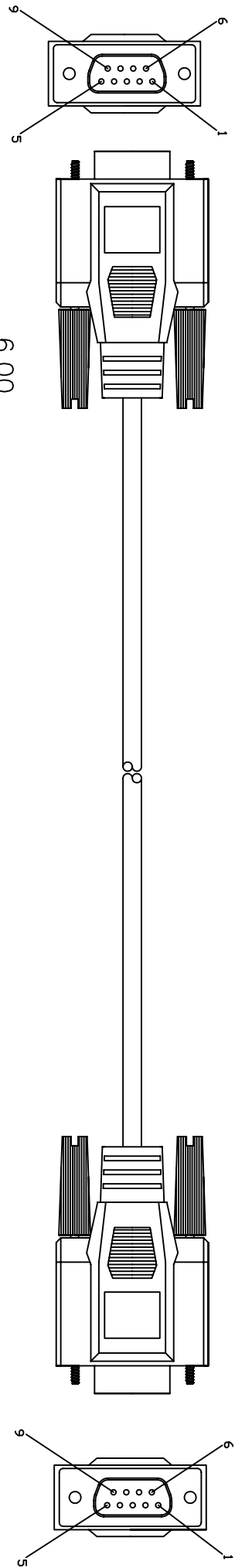


REV	DESCRIPTION	DATE
0	ISSUE	05/18/04



- PIN OUT
- | | |
|-------|-------|
| DB9 M | DB9 M |
| 1 | 1 |
| 2 | 2 |
| 3 | 3 |
| 6 | 6 |
| 4 | 4 |
| 5 | 5 |
| 7 | 7 |
| 8 | 8 |
| 9 | 9 |
| SHELL | SHELL |

Liberty Wire and Cable

TITLE		P/N:		DR.	
Assembly Specification		E-DB9M-M-XX		DK	
CBL, ASSY, MLD, DB9				RP	
SCALE	UNIT: mm	SCALE	UNIT: mm	CH.	RP
NONE	NONE			AP.	RP
UNLESS OTHERWISE SPECIFIED TOLERANCES:					
X ± X XX ± XX					
XXX ± XXX ANGLE ±					
REV. A	SHEET 1/1	DWG.NO: LWC-ASY-00040			

Cable:
28 AWG 9 Conductor
Overall Foil Shield with Drain
Non-UL rated